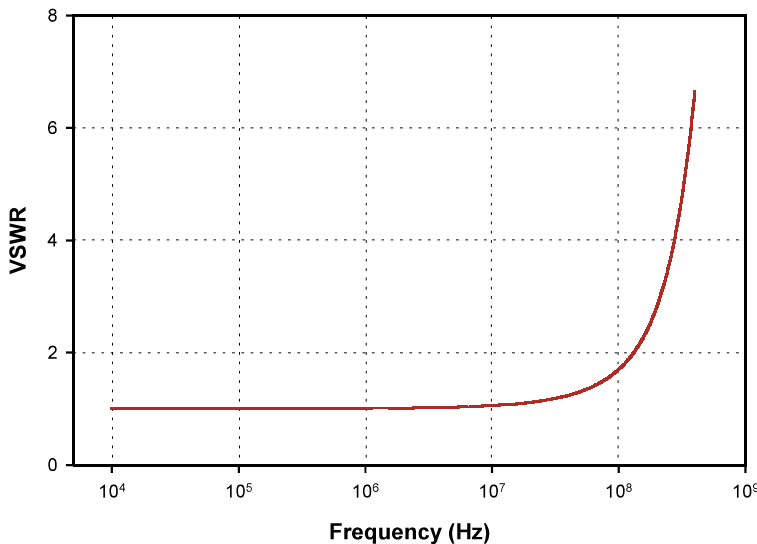
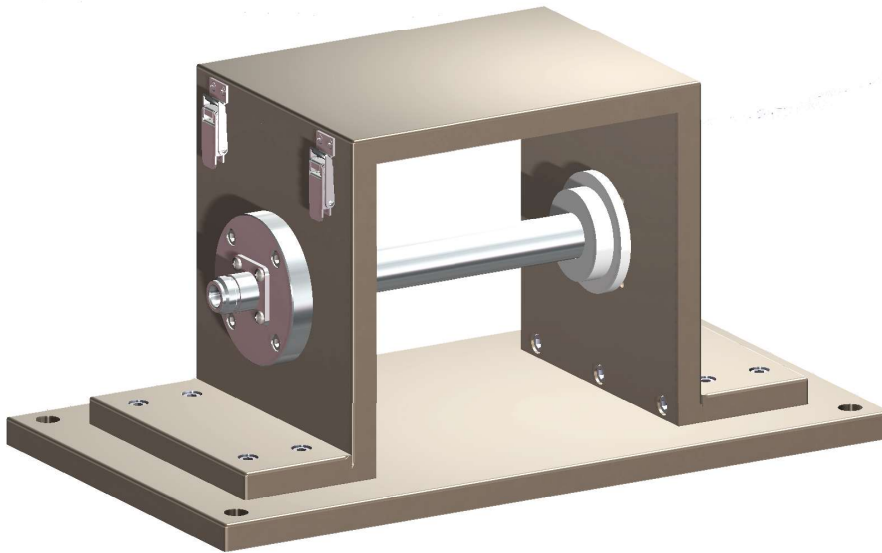


CALIBRATION FIXTURE

Injection Probe Calibration Fixtures are a part of the test equipment required by most of the Bulk Current Injection test procedure specifications. The FCC-BCICF-4 calibration fixture allows the user to quickly and easily calibrate the injection probe prior to performing compliance testing.

This calibration fixture offers two important benefits.

1. Due to variable circuit impedances or resonances in cables and cable looms, the calibration fixture is used to establish the forward power into the injection probe needed to develop the specified currents in the system under test.
2. The fixture can be used to measure the injection probes insertion loss.



Specifications

Frequency:	10 kHz – 400 MHz
VSWR:	See Chart
Dimensions:	(L x W x H) 317 mm x 178 mm x 159 mm
Weight:	3.0 kg



Fischer Custom Communications, Inc.

20603 Earl St., Torrance, CA 90503
Phone: 310-303-3300
Fax: 310-371-6268
Email: sales@fischercc.com

© Fischer Custom Communications, Inc.